

**M12 female 90° with cable**

PUR 12x0.25 gy UL/CSA+drag chain 17m

Female 90°

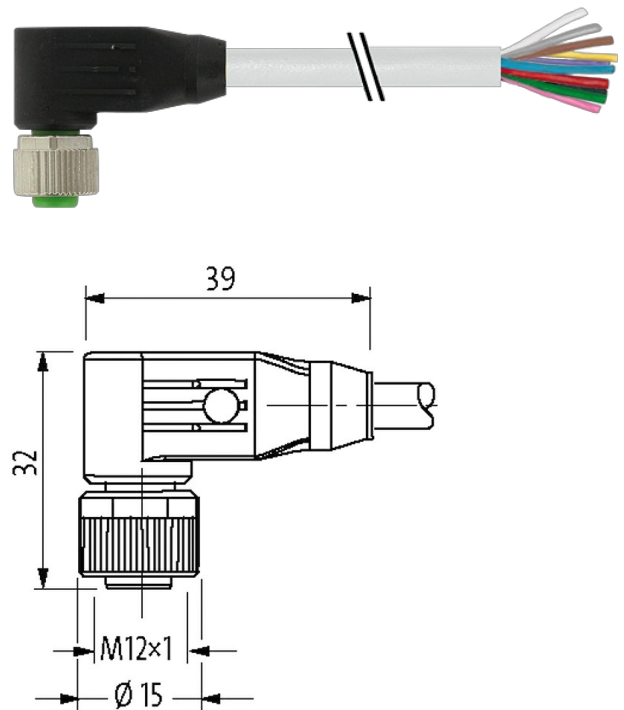
M12, 12-pole

Art-No. 7005 - M12 Lite - (plastic hexagonal screw) on request  
with cable sleeves

Plastic housings with good resistance against chemicals and oils.

The resistance to aggressive media should be individually tested for your application. Further details on request.

Further cable lengths on request.

**[Link to Product](#)****Illustration**

Product may differ from Image

**Approvals**

cCSAus

\* only for products with UL/CSA approved cable

**Form**

Form 19061

**General data**

|                   |  |
|-------------------|--|
| Standards         | DIN EN 61076-2-101 (M12)                 |
| Temperature range | -25...+85 °C, depending on cable quality |

**Cables**

|                       |   |
|-----------------------|---|
| No./diameter of wires | 12× 0.25 mm <sup>2</sup>                                |
| Wire isolation        | PP (br, bl, wh, gn, pk, ye, bk, gr, rd, vi, grpk, rdbl) |
| C-track properties    | 3 Mio.  |
| Material (jacket)     | PUR (UL/CSA)  |

|                                    |   |
|------------------------------------|---|
| Outer Ø                            | 6.9 mm ±5%  |
| Bend radius (moving)               | 15× outer Ø   |
| Temperature range (fixed)          | -40...+80 °C  |
| Temperature range (mobile)         | -20...+80 °C  |
| Cable identification               | 301   |
| Approval (cable)                   | UL (AWM-Style 20233/10978), CSA approbation; CE                           |
| Cable weight [g/m]                 | 69,30   |
| Material (wire)                    | Cu wire, bare   |
| Resistor (core)                    | max. 76 Ω/km (20 °C)  |
| Single wire Ø (core)               | 0.1 mm  |
| Construction (core)                | 32× 0.1 mm (multi-strand wire class 6)                                    |
| Diameter (core)                    | 12× 0.25 mm <sup>2</sup>  |
| AWG                                | similar to AWG 24   |
| Material (wire isolation)          | PP  |
| Material property (wire isolation) | CFC-, halogen-, cadmium-, silicone- and lead-free                         |
| Shore hardness (wire isolation)    | 50 ±5 D   |
| Wire-Ø incl. isolation             | 1.25 mm ±5%   |
| Color/numbering of wires           | br, rd, gr, bk, ye, pk, gn, wh, bl, rdbl, grpk, vi                        |
| Stranding combination              | Twisted wires rdbl, grpk and vi, over it all other wires are twisted      |
| Shield                             | no  |
| Material (jacket)                  | PUR   |
| Shore hardness (jacket)            | 85 ±5 A   |
| Outer-Ø (jacket)                   | 6.9 mm ±5%  |
| Color (jacket)                     | gray  |
| chemical resistance                | good resistance to oil, gasoline and chemicals (VDE 0472 Teil 803 Test B) |
| Nominal voltage                    | 300 V   |
| Test voltage                       | 1500 V  |
| Current load capacity              | to DIN VDE 0298-4   |
| Temperature range (fixed)          | -40...+80 °C  |
| Temperature range (mobile)         | -20...+80 °C  |
| Bend radius (fixed)                | 10× outer Ø   |
| Bend radius (moving)               | 15× outer Ø   |
| No. of bending cycles (C-track)    | max. 3 Mio. (25 °C)   |
| Traversing distance (C-track)      | max. 5 m (horizontal)   |
| Travel speed (C-track)             | max. 2 m/s  |
| Acceleration (C-track)             | max. 10 m/s <sup>2</sup>  |
| Jacket Color                       | gray  |

#### Technical Data

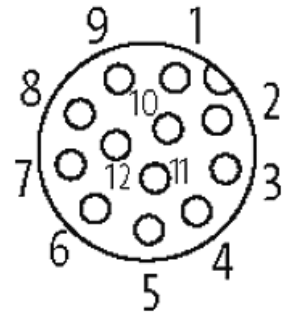
|                               |  |
|-------------------------------|--|
| Operating voltage             | max. 30 V AC/DC  |
| Operating current per contact | max. 1.5 A   |
| Locking of ports              | Screw thread (M12×1 mm) recommended torque 0.6 Nm, self-securing |
| Compression gland             | M12 (SW13)   |
| Protection                    | IP65, IP66K, IP67 inserted and tightened (EN 60529)              |

#### Commercial data

|                       |               |
|-----------------------|---------------|
| country of origin     | DE            |
| customs tariff number | 85444290      |
| EAN                   | 4048879678100 |
| eClass                | 27279218      |
| Packaging unit        | 1             |

**Sketch**

|    |           |
|----|-----------|
| 1  | brown     |
| 2  | blue      |
| 3  | white     |
| 4  | green     |
| 5  | pink      |
| 6  | yellow    |
| 7  | black     |
| 8  | gray      |
| 9  | red       |
| 10 | violet    |
| 11 | gray/pink |
| 12 | red/blue  |

**Female**

Product may differ from Image